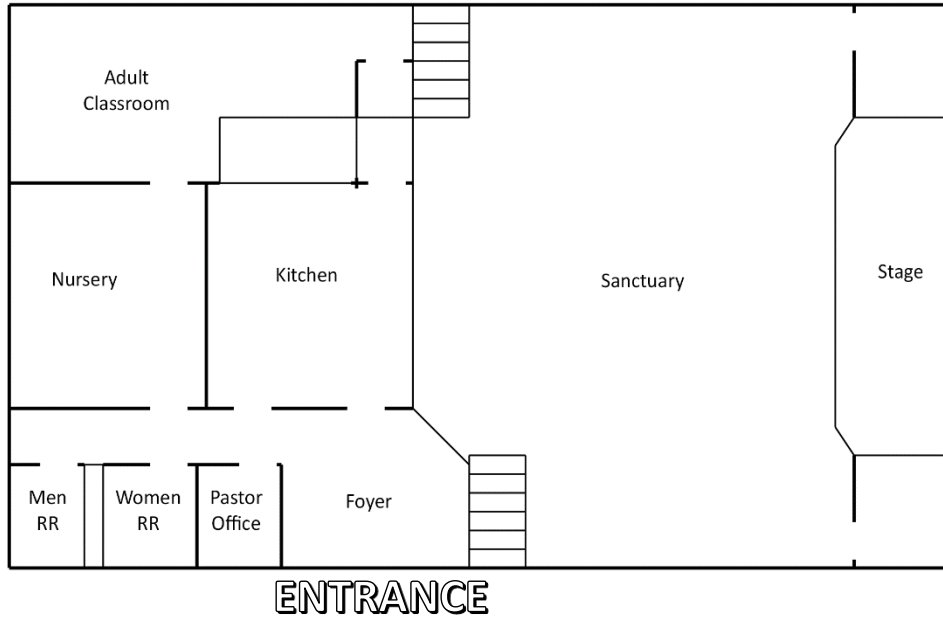
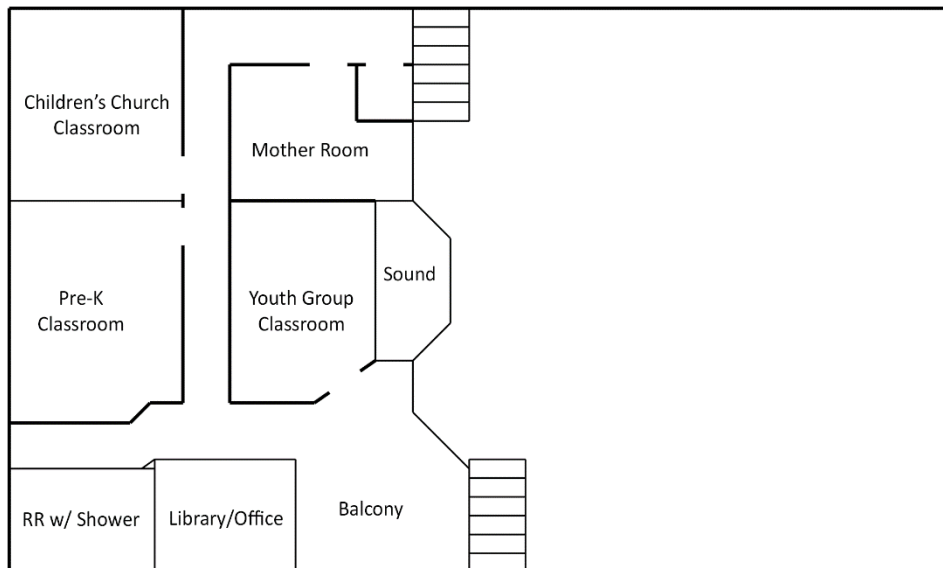


# Need Help Getting Around?

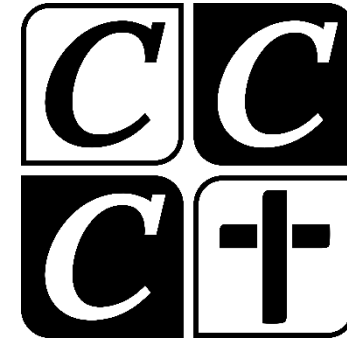
## First Floor:



## Second Floor:



# Colony Christian Church Open House



**We're so glad you could join us! Feel free to explore or ask your greeters for a tour!**

**JOIN US FOR WORSHIP**  
**Sundays @ 10:45 AM**

 [youtube.com/@ColonyCC](https://www.youtube.com/@ColonyCC)

 [facebook.com/ColonyCC](https://www.facebook.com/ColonyCC)

# Our Beliefs

We believe in **one God** - Father, Son and Holy Spirit

We believe in **God the Father** Almighty, Creator of all things visible and invisible

We believe in **Jesus Christ**, God's one and only Son, my one and only Savior

- Who was born Jesus of Nazareth, both fully human and fully divine, conceived of the Holy Spirit and the virgin Mary
- Who suffered and was crucified under Pontius Pilate
- Who died and was buried, and Who rose again bodily from the dead on the third day
- Who ascended into Heaven and now sits at the right hand of the Father
- Who will return to earth to judge both the living and the dead

We believe in **the Holy Spirit**

- Who is an active and operative part of the triune God
- Who indwells every Christian

We believe in **the Bible** - God's Holy Word, Scripture. We believe God inspired the autographs (original writings) of the Scripture and those autographs were consequently without error

We accept the **Bible as the final authority** for all matters of faith and practice

We believe the Bible teaches **that man, created by God, willfully sinned** against God and is consequently lost and without hope apart from Jesus Christ

We believe **the Bible teaches that salvation**—the forgiveness of sins—is only by grace through the blood of Jesus Christ

We believe the Bible teaches that one receives God's grace by putting faith in Christ, repenting of sin, confessing Christ and being immersed into Christ

We believe in the Church of Jesus Christ, founded on the Day of Pentecost and consisting of all Christians everywhere

We believe the Bible teaches that the Elders are to exercise authority over the local congregation

*Biblical citation available at [colonychristianchurch.org/beliefs](http://colonychristianchurch.org/beliefs)*

# History Of CCC

The organization of the Colony Christian Church started in January 1884 by Dr. and Mrs. Metcalf. Lessons were held in homes and in 1892 property was secured for a church building which cost \$1100 and the church building was added later. In 1920 a basement was dug under the church. In the 1950s, restrooms and an entryway were added. It has been remodeled and reconstructed several times; rooms have been added, plumbing, electricity, and more recently central air conditioning and comfortable chairs that can be rearranged in the sanctuary.

As early as January 2019, the church started securing and setting aside funds to build a new building. Groundwork began around 2022, followed by the main concrete in the Summer. Construction of the shell and insulation happened during the winter of 2022 and into early 2023. All of 2023 and into late 2024, framing, drywalling, plumbing, and wiring. On August 25<sup>th</sup>, Colony Christian Church held its last weekly church service in the old building. And on September 8th, Colony Christian Church will have its first weekly church service in a new location since the late 1800s.

A parsonage was accrued north of the church in the early years and sold in the 1930s. The current parsonage east of the church (across the road) was purchased in 1958. In 2013, a family room was added adjoining the east part of the home and bedrooms were created in the original part of the parsonage. Due to church growth the parsonage, now called the CrossRoads, is used as an extension of the church for additional classrooms, meals, and various ministries. As of 2024, this building will become a community daycare with the joint efforts of the church and USD 479.

During the time of working on the new building. The Church has also started operating and gift shop and thrift store on the main street of Colony as another venue of service. Connected to that is our Youth Center, where during most of the year, Youth Group-aged kids can hang out in a safe and monitored environment.

